

SERIES 04J

Joystick with Center Pushbutton

DESCRIPTION

Series 04J is a single pole, 4-way toggle switch with a pushbutton in the center position.

4-way contact is made in the opposite direction of travel.

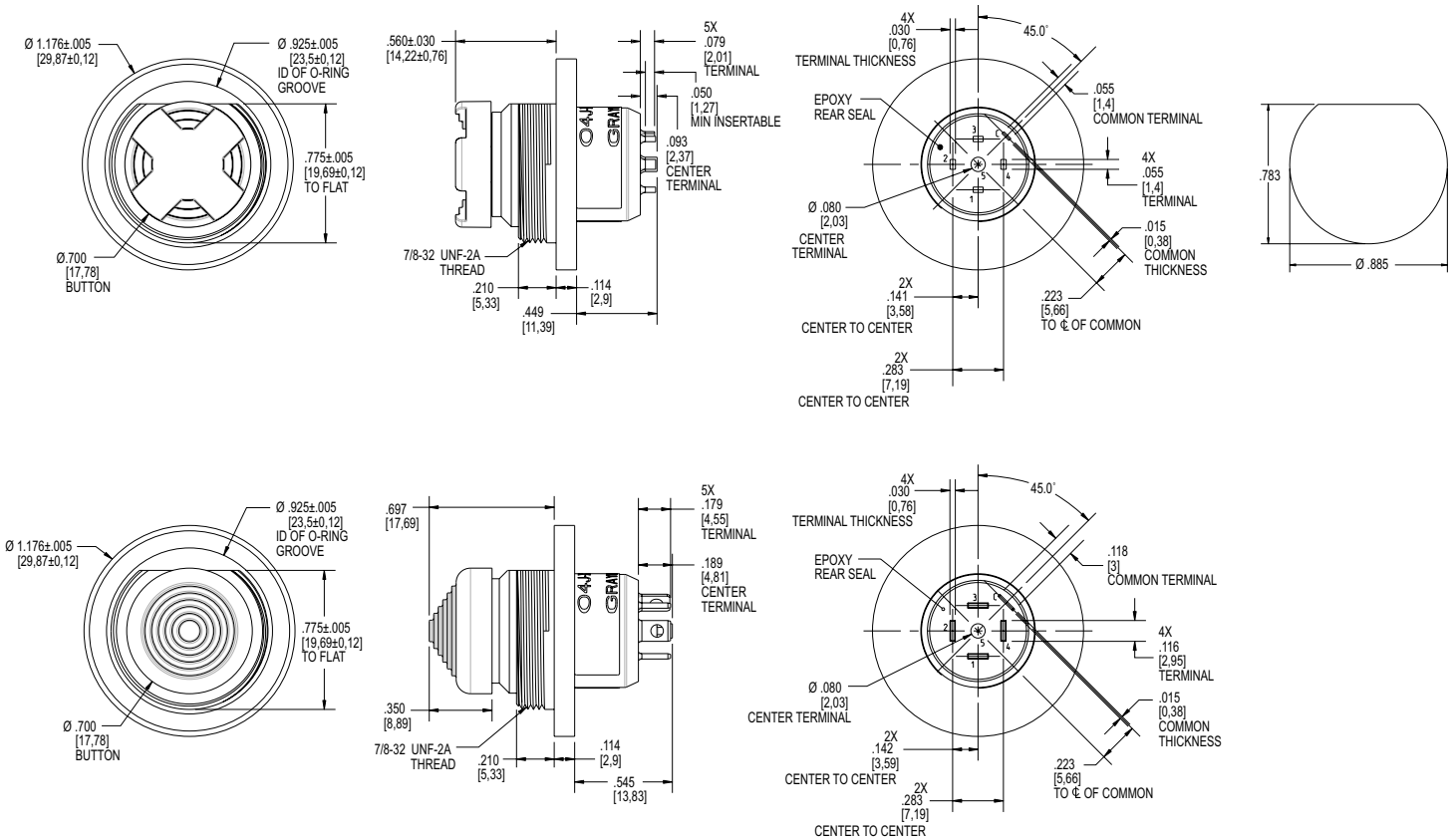
FEATURES

- Sealed against contamination when properly mounted (IP67)
- Two styles available: behind-panel mount or front-panel mount
- RoHS compliant
- Short behind panel

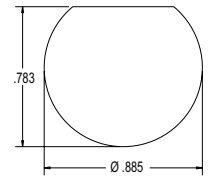


DIMENSIONS in inches [and millimeters]

Behind Panel Mount

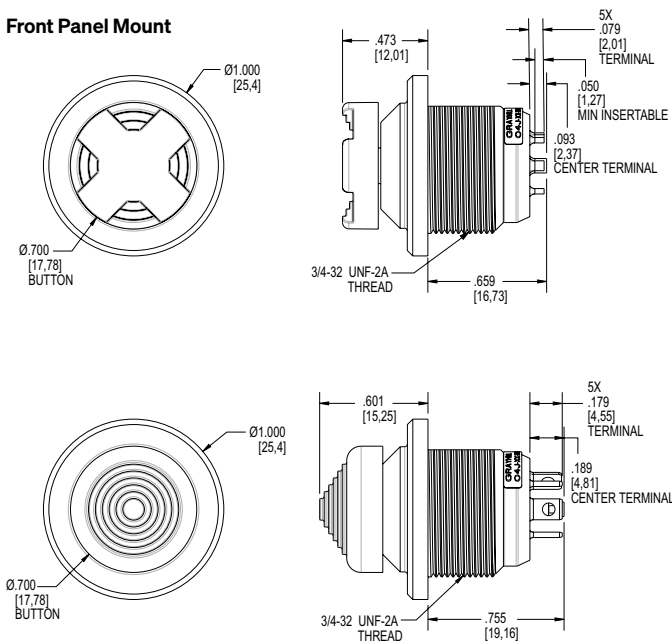


Recommended Panel Cutout

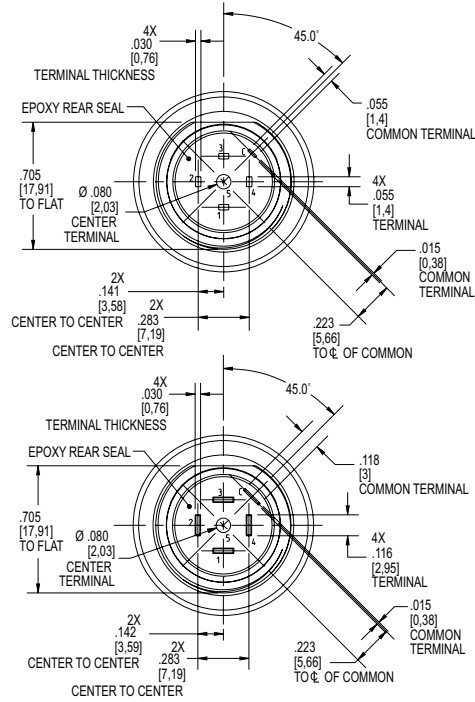
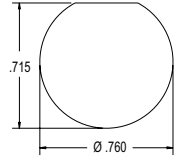


DIMENSIONS in inches [and millimeters]

Front Panel Mount



Recommended Panel Cutout



SPECIFICATIONS

Electric and Mechanical Ratings

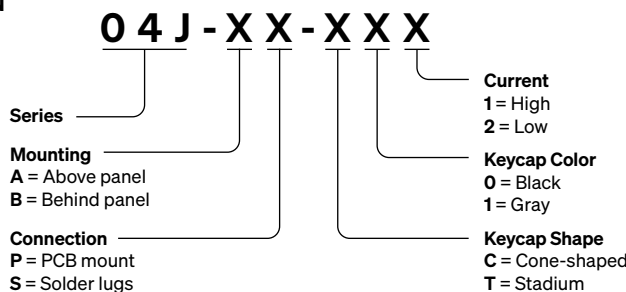
| | |
|---------------------------------------|-------------------------------------------------------|
| Rating | 2 amp resistive; 0.5 amp inductive at 28VDC or 115VAC |
| Contact Resistance | .05 ohms max (initial) |
| Operating Temperature | -55°C to +85°C |
| Operational Life | 100,000 cycles (min) |
| Pushbutton Travel | .020 minimum overall |
| Pushbutton Operating Force | 5 lbs. (max) |
| Insulation Resistance | 10,000M ohms |
| Vibration | per MIL-DTL-9419F, Method 3.5.9 |
| Toggle Lever Travel | 15° from center (max) |
| Toggle Operating Force | 16 oz + 6 oz initial |
| Toggle Pivot and Stop Strength | 25 lbs. (max) |
| Mechanical Shock | per MIL-STD-810, procedure I, method 516.4 |
| Immersion | per MIL-PRF-8805 |
| Moisture Resistance | per MIL-DTL-9419 |

Materials and Finishes

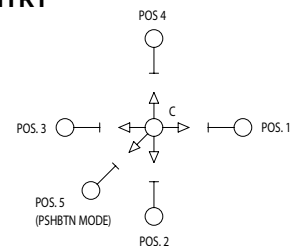
| | |
|------------------------------------|-------------------------------------------------------------------------------------------------------------------------------------------------------------------------------------------------------------------------------------------------------------------------------------------------------------------------------------------------------------|
| Switch Body and Concave Cap | Thermoplastic (black, cone-shaped cap is gray) |
| Bushing | Aluminum alloy (black chrome) |
| Contact Terminals | Low Current: Outer Terminals: 70-30- soft temper brass (gold over nickel plating) Center and Common Terminals: half hard brass (gold over nickel plating) High Current: Outer Terminals: 70-30- soft temper brass (gold over silver over nickel plating) Center and Common Terminals: half hard brass (gold over silver over nickel plating) |
| Spanner Nut | Above Panel: Aluminum (black chrome) Behind Panel: Stainless steel (black chrome) |
| O-Ring | Above Panel: 70 durometer fluorosilicone Behind Panel: 50 durometer fluorosilicone |

ORDERING INFORMATION

Available from your local Grayhill Distributor. For prices and discounts, contact a local sales office, an authorized local distributor, or Grayhill.



CIRCUITRY



* Contact made opposite direction of travel

Specifications are subject to change.