

SERIES 62S

Compact 1/2" Package

FEATURES

- Compact size
- Requires minimal behind panel space
- 1 million rotational cycles for low and medium torque, 1/2 million for high
- 3 million rotations for non-detent styles
- Optional integral pushbutton
- Choices of cable length and terminations

APPLICATIONS

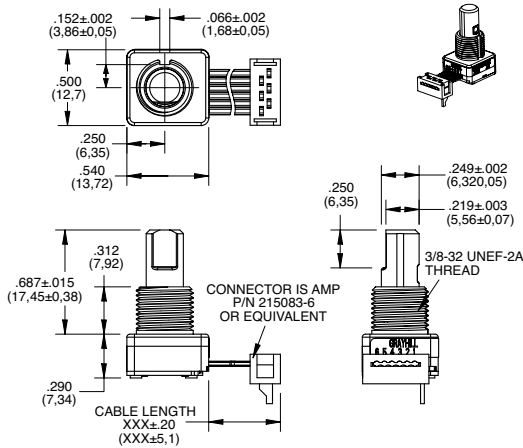
- Global positioning/driver information systems
- Medical equipment



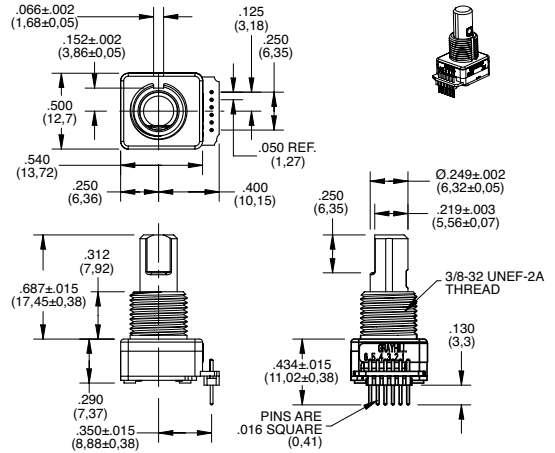
DIMENSIONS in inches (and millimeters)

Unless otherwise specified, standard tolerance is $\pm .010$ (0,25)

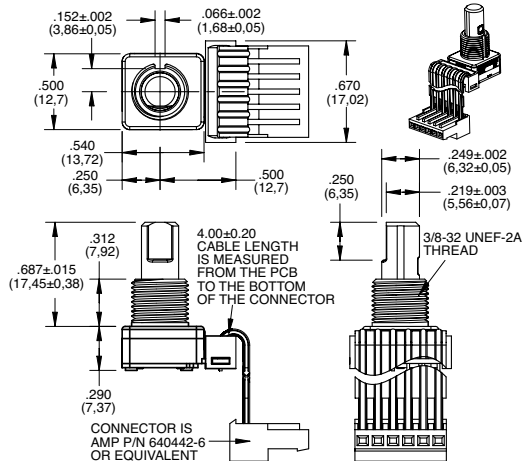
Termination: -C



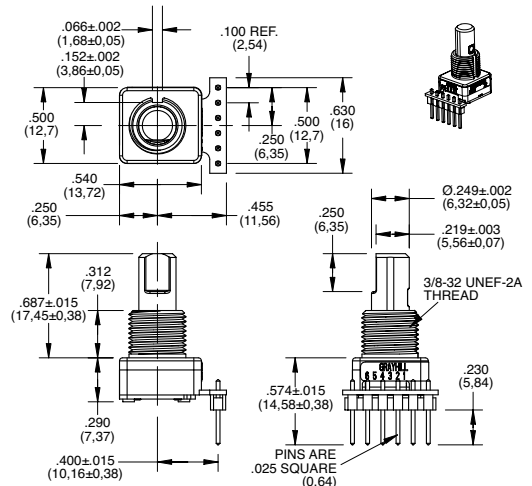
Termination: -P



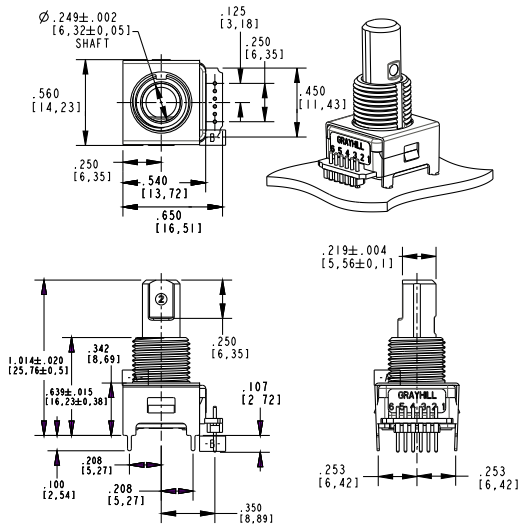
Termination: -CH



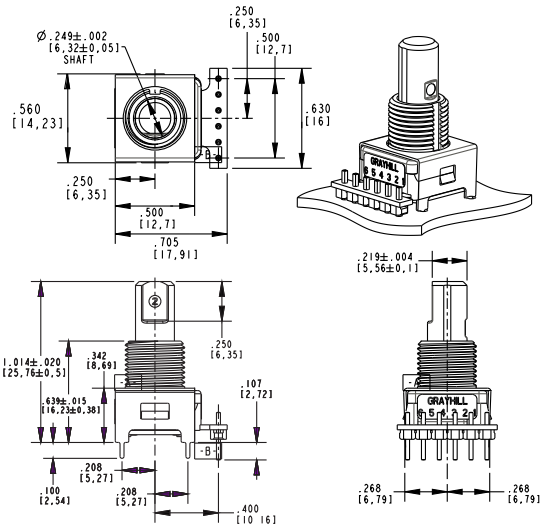
Termination: -PH



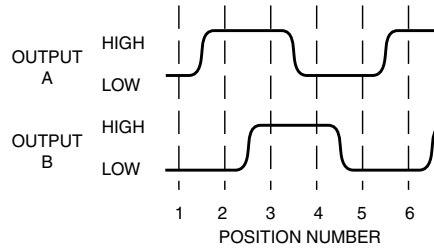
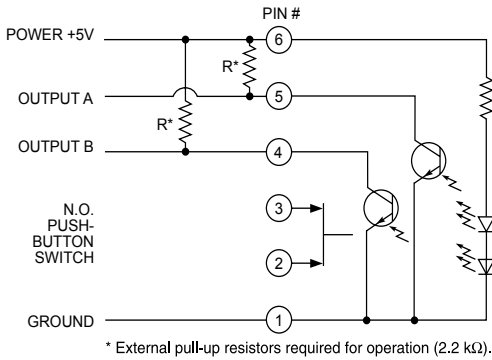
Termination: -PV



Termination: -PHV



CIRCUITRY, WAVEFORM, AND TRUTH TABLE Standard Quadrature 2-Bit Code



Clockwise Rotation		
Position	Output A	Output B
1		
2	●	
3	●	●
4		●

● Indicates logic high; blank indicates logic low. Code repeats every 4 positions.

ROTATIONAL TORQUE AND PUSHBUTTON AVAILABILITY

	0 None						
		0 None	9 950 Grams	5 510 Grams	4 400 Grams	3 300 Grams	2 200 Grams
Rotational Torque	N	N0	N9	N5	N4	N3	N2
	L	L0	L9	L5	L4		
	M	M0	M9	M5			
	H	H0	H9				

AVERAGE ROTATIONAL TORQUE SPECIFICATIONS			
	LOW	MEDIUM	HIGH
	±0.50 IN-OZ	±1.40 IN-OZ	±1.60 IN-OZ
8 POSITION	1.10	1.85	2.75
12 POSITION	1.00	1.70	2.95
16 POSITION	1.40	2.35	3.40
20 POSITION	1.35	2.05	2.80
24 POSITION	1.25	1.95	2.95
32 POSITION	0.95	1.40	2.15

SPECIFICATIONS

Environmental Specifications

Operating Temp. Range	-40 °C to 85 °C
Storage Temp. Range	-40 °C to 85 °C
Humidity	96 hrs at 90–95% humidity at 40 °C
Mechanical Vibration	Harmonic motion with amplitude of 15 Gs, within a varied frequency of 10 to 2000 Hz
Mechanical Shock	Test 1: 100 G for 6 mS, half sine wave with a velocity change of 12.3 ft/s; Test 2: 100 G for 6 mS, sawtooth wave with a velocity change of 9.7 ft/s

Rotary Electrical and Mechanical Specifications

Operating Voltage	5.00±0.25 Vdc						
Supply Current	25 mA max at 5.25 Vdc						
Output	Open collector phototransistor, external pull up resistors are required						
Output Code	2-bit quadrature, channel A leads channel B by 90° electrically during clockwise rotation of the shaft						
Logic Output Characteristics	Logic High shall be no less than 3.8 Vdc Logic Low shall be no greater than 0.8 Vdc						
Minimum Sink Current	2.0 mA						
Power Consumption	132 mW maximum (includes power in 2 pull-up resistors)						
Mechanical Life	<table border="0"> <tr> <td>Non-Detent</td> <td>3 million cycles</td> </tr> <tr> <td>Low & Medium</td> <td>1 million cycles</td> </tr> <tr> <td>High</td> <td>1/2 million cycles</td> </tr> </table> <i>1 cycle is a rotation through all positions and a full return Torque shall be within 50% of initial value throughout life</i>	Non-Detent	3 million cycles	Low & Medium	1 million cycles	High	1/2 million cycles
Non-Detent	3 million cycles						
Low & Medium	1 million cycles						
High	1/2 million cycles						
Mounting Torque	15 in-lbs maximum						
Shaft Push-Out Force	45 lbs minimum						
Shaft Pull-Out Force	45 lbs minimum						
Terminal Strength	15 lbs minimum terminal pull-out force for cable or header termination						
Solderability	95% free of pin holes and voids						

Pushbutton Electrical and Mechanical Specifications

Rating	10 mA at 5 Vdc
Contact Resistance	<10 Ω
Life	3 million actuations minimum
Contact Bounce	<4 ms Make, <10 ms Break
Actuation Force	9-950±150 grams, 5-510±150 grams, 4-400±100 grams, 3-300±90 grams, 2-200±75 grams
Shaft Travel	.025±.010 inch

Materials and Finishes

Bushing	Zamak 2
Shaft	Aluminum or Zamak 2
Retaining Ring	Stainless steel
Pushbutton Actuator	Zytel 70G33L
Detent Spring	Music wire
Detent Ball	Stainless steel
Code Housing	Polyamide polymer, nylon 6/10 alloy UL94HB
Code Rotor	Delrin 100
Printed Circuit Boards	NEMA grade FR-4, double clad with copper, plated with gold over nickel
Infrared Emitting Diode Chips	Gallium aluminum arsenide
Silicon Phototransistor Chips	Gold and aluminum alloys
Resistor	Metal oxide on ceramic substrate
Solder Pins	Brass, plated with tin
Pushbutton Dome	Stainless steel
Backplate	Stainless steel
Cable	Copper stranded with topcoat in PVC insulation (Cable version only); Connector (.050 Center): PA4.6 with tin over nickel-plated phosphor bronze; Connector (.100 Center): Nylon UL94V-2, tin-plated copper alloy
Label	TT406 thermal transfer cast film
Solder	Sn/Ag/Cu, lead-free, no clean
Lubricating Grease	NYE nyogel 774L
Hex Nut	Nickel-plated brass
Lockwasher	Zinc-plated spring steel with clear trivalent chromate finish
Header	Hi-temp glass filled thermoplastic UL94V-0, phosphor bronze (pin versions only)
Strain Relief	Glass filled thermoplastic (.100 center cable versions only)

Options

Contact Grayhill for custom terminations, shaft and bushing configurations, rotational torque pushbutton force, and code output.

ORDERING INFORMATION

Available from your local **Component Grayhill Distributor**. For prices and discounts, contact a local Sales Office, an authorized local Distributor, or Grayhill.

Angle of Throw
45 = 45° for code change and 8 detent positions
30 = 30° for code change and 12 detent positions
22 = 22.5° for code change and 16 detent positions
18 = 18° for code change and 20 detent positions
15 = 15° for code change and 24 detent positions
11 = 11.25° for code change and 32 detent positions

Rotational Torque Option
N = Non-detent
L = Low Torque (available with 0, 4, 5, 9 pushbutton only)
M = Medium Torque (available with 0, 5, 9 pushbutton only)
H = High Torque (available with 0, 9 pushbutton only)

Termination
C = .050 center ribbon cable with connector
S = .050 center ribbon cable with .100 stripped end
P = .050 center pins with .185 length
PV = .050 center pins with PCB mounting bracket
CH = .100 center ribbon cable with connector
SH = .100 center ribbon cable with .100 stripped end
PH = .100 center pins with .230 length
PHV = .100 center pins with PCB mounting bracket

Cable Length
Cable Termination: 020 thru 250 in 0.5 inch increments
**3 digits are eliminated if pinned termination is required (Ex. 62S22-M9-P)*
Examples: 040 = 4.0 inches; 135 = 13.5 inches

Pushbutton Option
0 = NO PUSHBUTTON **4** = 400 Grams
9 = 950 Grams **3** = 300 Grams
5 = 510 Grams **2** = 200 Grams

62SXX-XX-040X
 Series