

SERIES 04JT

Joystick with Tactile Feel

DESCRIPTION

Series 04JT is a single pole, 4-way toggle switch with a tactile feel.

4-way contact is made in the opposite direction of travel.

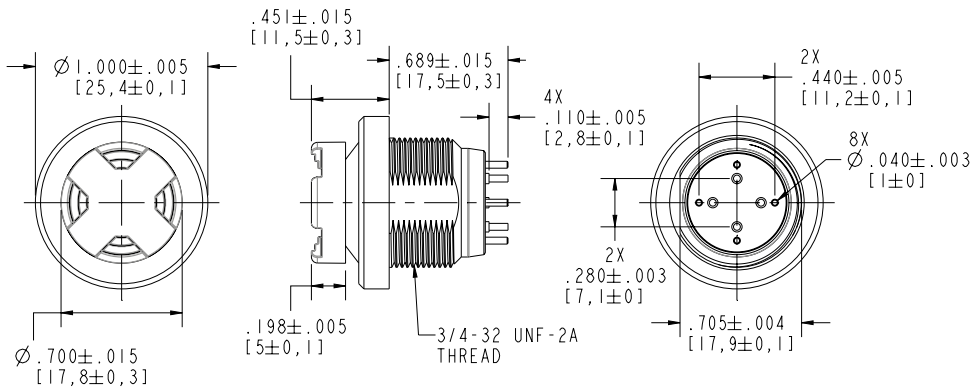
FEATURES

- Dynamically sealed against contamination to IP67 when properly mounted
- Available in above and below panel mount
- RoHS compliant
- High life (250,000 operational cycles)
- Short behind panel length (0.689")

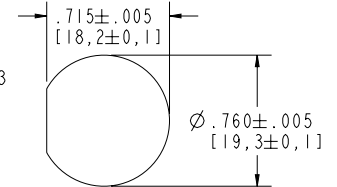


DIMENSIONS in inches (and millimeters)

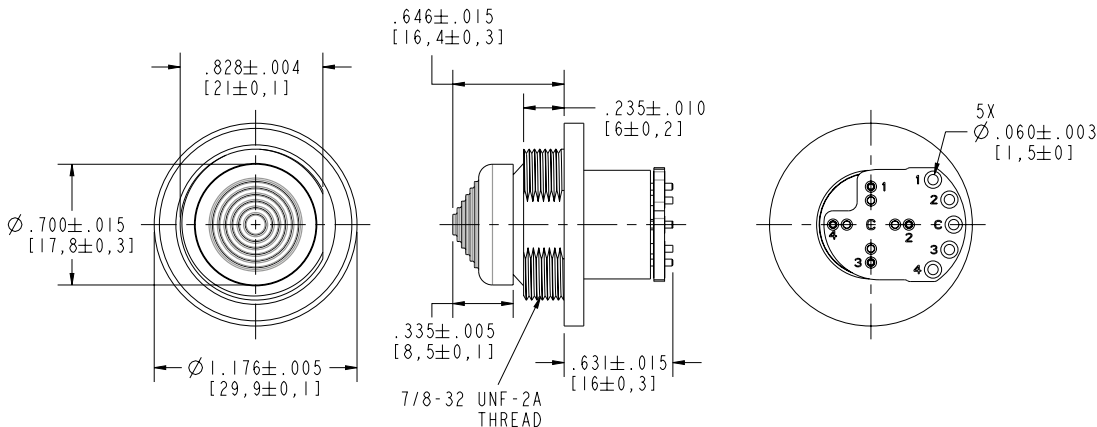
Above Panel, Stadium Cap, PC Terminal Style



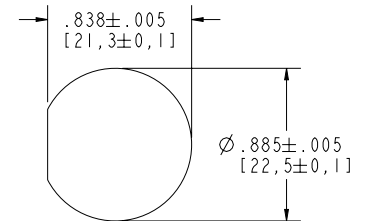
Recommended Cutout Above Panel Style



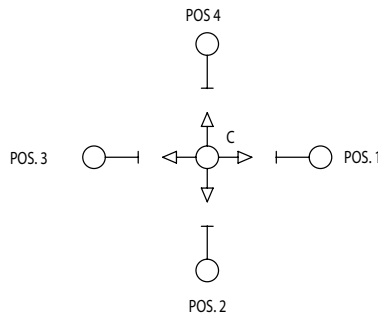
Behind Panel, Cone Cap, Pcb Mounted Style



Recommended Cutout Behind Panel Style



CIRCUITRY



* Contact made opposite direction of travel

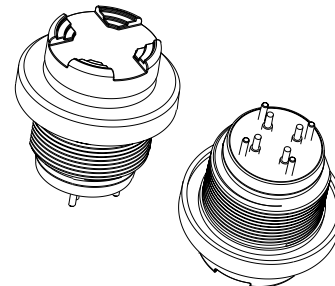
SPECIFICATIONS

Pushbutton Switch Ratings

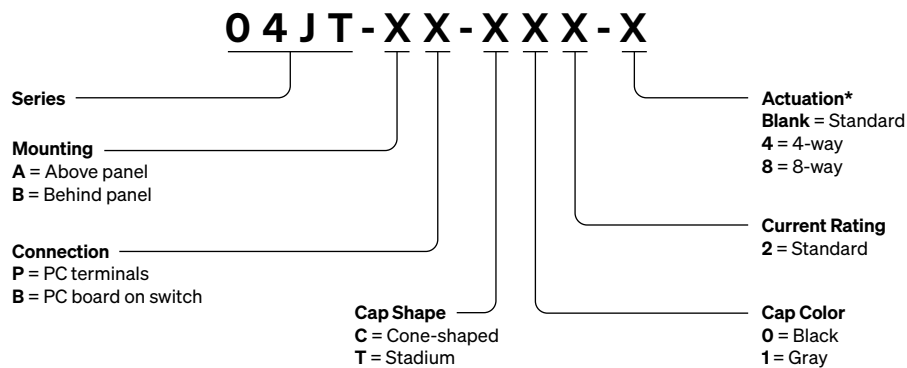
Lower Level Rating	10mA (max) Resistive @ 5VDC
Contact Resistance	50mΩ (max)
Operating Temperature	-55°C to +85°C
Operational Life	250,000 cycles
Insulation Resistance	10,000M ohms
Toggle Lever Travel	12° from center (max)
Toggle Operating Force:	16 oz + 6 oz initial
Toggle Pivot and Stop Strength	25 lbs. (max)
Mechanical Shock	per MIL-STD-810, procedure I, method 516.4
Immersion	per MIL-PRF-8805, sealed to IP67
Moisture Resistance	per MIL-DTL-9419
Vibration	per MIL-DTL-9419G, Method 4.7.11
Terminal Strength	Over 30 lbs. for 1 minute, per MIL-DTL-9419G, Paragraph 4.7.6
Altitude	Up to 60,000 ft per MIL-DTL-9419G, Paragraph 4.7.16
Solderability	per MIL-DTL-9419G, Paragraph 4.7.19

Materials and Finishes

Cap	Thermoplastic
Bushing	Aluminum alloy (black chrome finish)
Contact Terminals	1/2 hard brass (gold over silver over nickel plating)
Hex Nut	Aluminum alloy (black chrome finish)
O-Ring	50 durometer fluorosilicone
Spanner Nut	Stainless steel (black chrome finish)



ORDERING INFORMATION



*Actuation Descriptions

Standard option is make-before-break when rolling actuator between adjacent postpositions. Diagonal actuation from centering does not activate either adjacent position. 4-Way option is break-before-make preventing adjacent positions from being active simultaneously. Diagonal actuation from center does not activate either adjacent position. 8-Way option allows activation of two adjacent positions directly from center with diagonally actuation and make-before-break when rolling actuator between adjacent positions.

Specifications are subject to change.