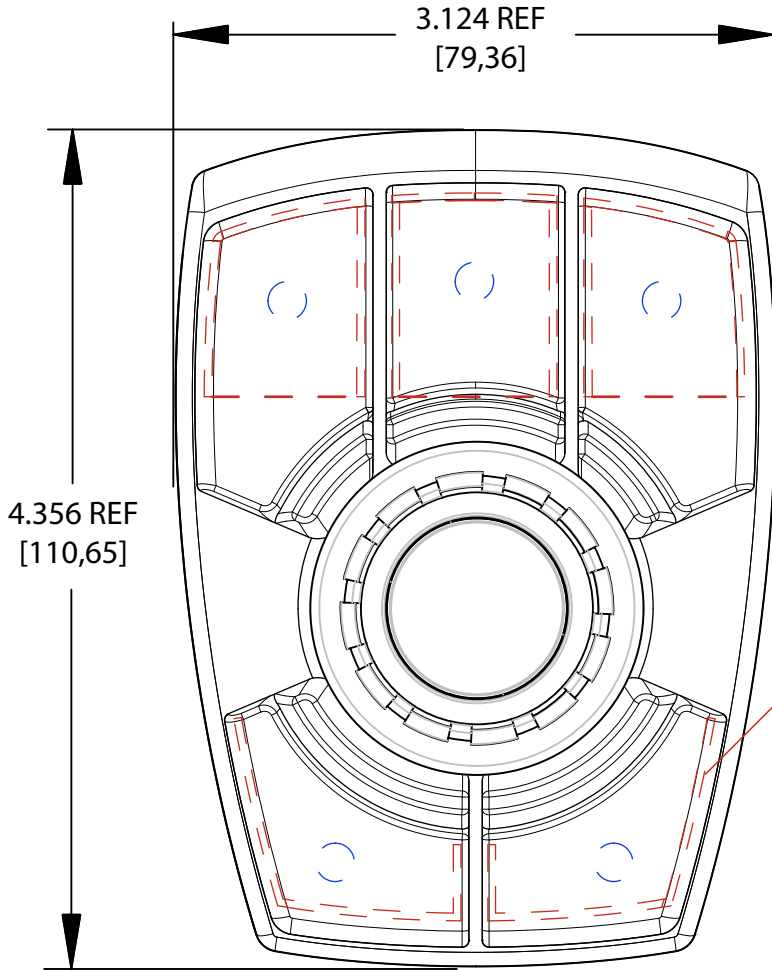


REVISIONS		
ISSUE	DESCRIPTION	APPD/DATE
A	ORIGINAL. ECN#411507 VP 06-06-2017	RAL/VL 06-01-18



Keep icons/text within webbed area to avoid potential light bleed-through. (View layer "Hidden Webbing" for dashed lines.) Circles in center are location of actuator domes, finger presses in their general area will activate button.

ALL REVISIONS TO THIS DRAWING  
MUST BE MADE IN ADOBE ILLUSTRATOR

- NOTES:
- Artwork must be created in vector-based software and must be joined and grouped so that filled area is properly shown.
  - Text and numbers should be converted to outlines prior to submitting to Grayhill.
  - Artwork should also be converted to outlines prior to submission to eliminate problems relating to line weight variation.
  - Preferred format is Adobe Illustrator or editable PDF. DXF and DWG can be accepted provided the steps above are taken.
  - Shown with encoder VDC knob.

DRAWING UNITS:		MILLIMETERS [INCHES]	
DRAWING TOLERANCES UNLESS OTHERWISE SPECIFIED:			
LINEAR ±	NA	RADIUS ±	SAME AS DIA
DIAMETER ±	NA	ANGLE ±	NA
	561 W HILLGROVE AVE LA GRANGE, IL 60525 PHONE 708-354-1040		SIZE <b>A</b>
	CRITICAL CHARACTERISTIC FLAG PER GRAYHILL SPEC.SOP2338	THIS DRAWING SHALL MEET THE REQUIREMENTS OF GRAYHILL PPAP SPECIFICATION SOP2924 CURRENT REVISION. THIS SPECIFICATION APPLIES TO PURCHASED COMPONENTS ONLY.	
DESCRIPTION <b>3J SERIES KEYPAD TEMPLATE</b>			
DRAWING NUMBER <b>3JYYART-TEMPLATE</b>		ISSUE <b>A</b>	
SCALE 1.00	3JYYART-TEMPLATE_A_001		SHEET 1 OF 1