

# SERIES 04A

## Four Directions Plus Pushbutton

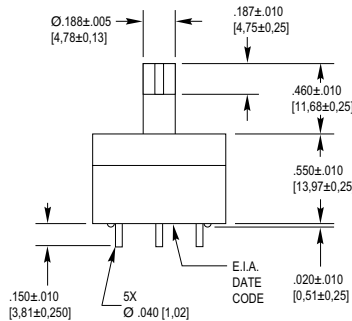
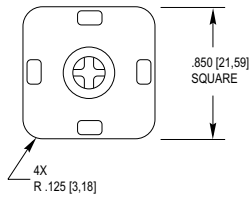
### FEATURES

- Four-Pole, Single-Throw (4PST)
- Joystick action
- Position locator on CRT screens
- Moves cursor on menu display



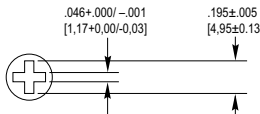
### DIMENSIONS in inches (and millimeters)

#### Basic Switch 04A

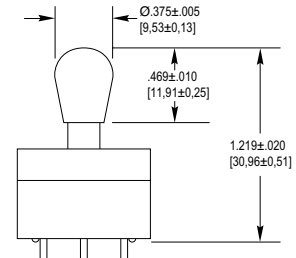


#### Recommended Interface

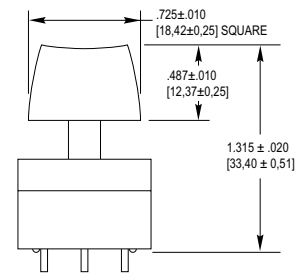
For customers who prefer to purchase or design separate keycaps, Grayhill recommends the dimensions shown here to acquire parts which will mate well with the basic switch, part number 04A.



#### Bat Handle 04A-B01



#### Keycap 04A-K01



### SPECIFICATIONS

#### Pushbutton Switch Ratings

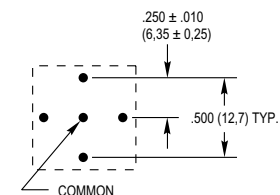
<b>Rated</b>	Make and break 250 mA at 115 Vac or 125 mA at 220 Vac resistive load for 500,000 operations
<b>Contact Resistance</b>	25 milliohms maximum on a new switch
<b>Insulation Resistance</b>	1,000 megohms at 100 Vdc
<b>Dielectric Strength</b>	500 Vac RMS minimum
<b>Operating Temperature</b>	-40 °C to +85 °C
<b>Actuation Force</b>	13 oz.±3 oz.
<b>Actuation Travel</b>	0.095"±.020"
<b>Actuation Lever Stop Strength</b>	20 lbs. min.

#### Materials and Finishes

<b>Base, Cover, and Switch Actuator</b>	Polyester (Black)
<b>Terminals</b>	Brass, gold-plated over nickel
<b>Shorting Bar</b>	Phosphor bronze, gold-plated over nickel
<b>Spring</b>	Zinc-plated music wire
<b>Keycap</b>	ABS or equivalent
<b>Bat Handle</b>	ABS

### CIRCUITRY

#### Footprint



### ORDERING INFORMATION

Available from your local Grayhill Distributor. For prices and discounts, contact a local Sales Office, an authorized local Distributor or Grayhill.

Part Number	Description
<b>04A</b>	Basic Switch
<b>04A-K01</b>	Switch with Arrowhead Keycap
<b>04A-K02</b>	Switch with Keycap
<b>04A-B01*</b>	Switch with Bat-Handle (*shipped with bat handle permanently attached)